

DIN RAIL, 8 & 11 PIN PLUG IN, IN SERIES THYRISTOR / TRIAC DELAY ON TIMERS

PRODUCT GROUP
A

TYPES: YSA, 8SA, 11SA

FEATURES

- Din rail & plug in versions
- Connects in series with the load
- Ideal for refrigeration compressors
- Operates on any supply 20-260V AC/DC
- Choice of three multi time ranges
- Single time ranges & fixed times
- LED indication
- CE marked

DESCRIPTION & MODE OF OPERATION

Din rail mounted or 8 & 11 pin plug in, in series thyristor / triac delay on timers. Operates on any supply from 20-260V AC/DC and is connected in series with the load. For these timers to operate there must be a load of at least 5mA, they cannot be used for "volt free" control. These timers are available in a choice of one of three multi time ranges, single time ranges or as a fixed time setting. The timers feature a red LED to indicate output status. All terminal details along with the CE mark is clearly marked on the sides of the housing.

The function is initiated by a supply on terminals 15 & 18 or pins 1 & 3 which commences the timing. The output will then switch after the timing period. Removal of the supply after timing has been completed and the output will open, if removal of the supply is before timing has been completed the remaining time will be cancelled.

Timing:

Repeat accuracy:
constant ambient: $\pm 0.5\%$ of set value
across temp range: $\pm 3\%$
Reset time:
during timing: 100mSec
after timing: 25mSec

Output:

Output rating I_{max}: 0.7Amps continuous (20°C)
Peak current: 20Amps < 10mSec
Output rating I_{min}: 5mA
Leakage during timing: 5mA max (can cause buzzing during timing)
Voltage drop after timing: 3.5V
Transient protection: 1400V for 100uSec

Supply voltage:

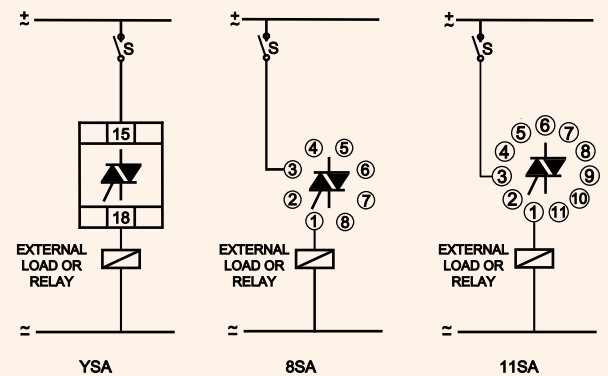
Supply voltage: 20-260V AC/DC (on request 10-130V AC/DC)

General:

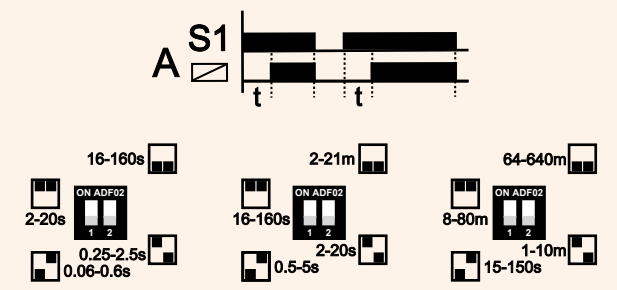
Operating temperature: -20°C to +65°C
Storage temperature: -20°C to +65°C
CE marked: Yes
In accordance with: EN61000-6-1: 2007 EN61000-6-3: 2007 EN61010-1: 2002
Housing material: Polycarbonate, Auto extinguishable to UL 94 V-0



CONNECTIONS



FUNCTION & TIME RANGE SELECTION



ORDERING INFORMATION

TYPE

YSA (Din rail)
8SA (8 pin plug in)
11SA (11 pin plug in)

TIME RANGE (specify F then time range, or P and factory set time, or S, M or L multi range version)

TIME RANGE (specify F then time range, or P and factory set time, or S, M or L multi range version)	S (0.06 to 160 secs)	M (0.5 sec to 21 mins)	L (15 sec to 640 mins)
YSA (Din rail)	0.06 to 0.6 sec	0.5 to 5 sec	15 to 150 sec
8SA (8 pin plug in)	0.25 to 2.5 sec	2 to 20 sec	1 to 10 mins
11SA (11 pin plug in)	2 to 20 sec	16 to 160 sec	8 to 80 mins
	16 to 160 sec	2 to 21 mins	64 to 640 mins
	F 0.1 to 1 sec	0.1 to 3 sec	0.1 to 10 sec
	0.3 to 30 sec	0.6 to 60 sec	1 to 100 sec
	3 to 300 sec	0.1 to 10 mins	0.2 to 20 mins
	0.3 to 30 mins	0.6 to 60 mins	1 to 100 mins

P then specify factory fixed time required, max 10 mins (min qty 10 pieces)