

# FOXTAM DIN RAIL MOUNTED MODULAR TRANSFORMERS

PRODUCT  
GROUP  
**S**

**TYPE: FOX.TXM xxxx/xx**

## FEATURES

- Din rail mounted modular construction
- 230VAC 50/60Hz primary
- 24VAC secondary
- 10VA to 75VA
- Built in secondary PTC or fuse protection

## TECHNICAL SPECIFICATIONS

### INPUT

Primary voltage: 230VAC +/-10%  
Frequency: 47-63Hz

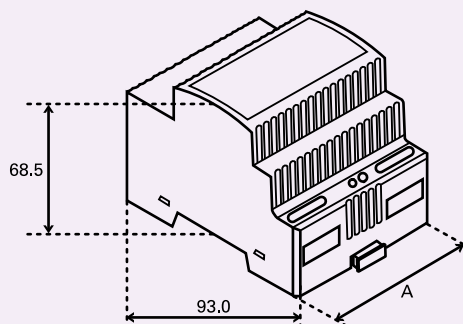
### OUTPUT

Voltage: 24VAC  
Temperature range: -10°C to +40°C (10VA unit up to +50°C)  
Continuous use: Yes

### STANDARDS

Safety standards: EN61558-2006/95/ECC 89/336  
EMC standards: EN55022/B – EN55024  
Insulation: Class II  
CE marked: Yes

## CASE DIMENSIONS



Example illustrated is 3 modules width, the profile is the same for all case sizes but the widths vary as follows:

- 2 Modules width: A=35.0mm
- 3 Modules width: A=52.5mm
- 5 Modules width: A=87.5mm
- 6 Modules width: A=105mm
- 8 Modules width: A=140mm

## FOX.TXM 0010/24VAC

- FEATURES
- 230VAC PRIMARY
- 10VA / 24VAC SECONDARY
- 2 MODULES WIDTH (35mm)
- BUILT IN SECONDARY PTC PROTECTION



## FOX-TXM 0020/24VAC

- FEATURES
- 230VAC PRIMARY
- 20VA / 24VAC SECONDARY
- 3 MODULES WIDTH (52.5mm)
- BUILT IN SECONDARY PTC PROTECTION



## FOX-TXM 0035/24VAC

- FEATURES
- 230VAC PRIMARY
- 35VA / 24VAC SECONDARY
- 5 MODULES WIDTH (87.5mm)
- BUILT IN SECONDARY REMOVABLE FUSE PROTECTION



## Other Modular 24VAC Transformers

- FOX.TXM 0050/24VAC 50VA output, 6 modules width
- FOX.TXM 0063/24VAC 63VA output, 8 modules width
- FOX.TXM 0075/24VAC 75VA output, 8 modules width