

FOXTAM CONTROL PANEL TRANSFORMERS

PRODUCT
GROUP
T

FEATURES

- Primary voltage multi tap 0-230/240-400-415-440V
- Multi tap secondaries 0-12-24V / 0-55-110V / 0-115-230V
- VA sizes from 30VA to 3200VA
- Double wound isolating
- With primary winding earth screen
- Earth terminal
- Non welded construction means cool operation
- CE marked



DESCRIPTION

Quality double wound isolating transformers for general "Control Panel" applications, giving excellent on load and off load performance and stability. Benefiting from a multi tap primary 0-230/240-400-415-440V with no confusing terminal links required, likewise the secondary taps are also without requiring links. Available with a choice of secondary voltages 0-12-24V / 0-55-110V or 0-115-230V. The construction is of a non-welded style, which is preferable to ensure cool operation both on and off load. The transformers also benefit from a primary Earth screen as a safeguard in the event of a catastrophic short circuit in the primary, thus ensuring any potential is routed to Earth rather than to the secondary. An optional Din rail mounting adaptor is available for the 30VA, 50VA, 100VA and 160VA transformer sizes, (one adaptor fits all). **It is important to note, when sizing a transformer that the lower secondary voltage tap will be at half the specified VA rating. Example, a 100VA / 24VAC transformer will give you 50VA at 12VAC.**

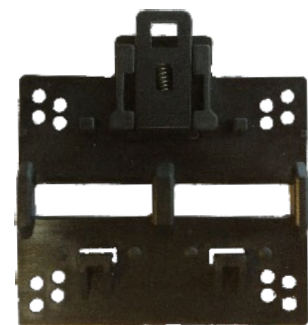
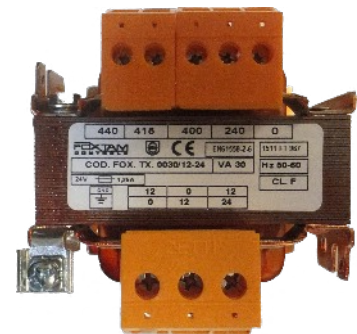
SPECIFICATIONS

According to: EN61558-2-4/2-6
 CE Marked: Yes
 Terminals: IP20
 Copper: Class F/H
 Lamination Loss: 1.5W/Kg
 Thermic Class: Class F
 Protection Class: Class 1

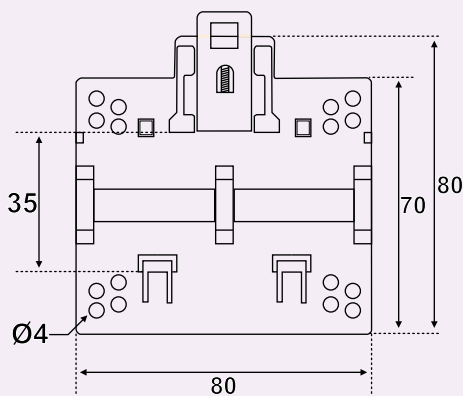
Insulation: 4KV between windings
 2KV between windings & chassis Earth
 Tropicalised: Yes
 Frequency: 50/60Hz
 Continuously Rated: Yes

FOX.TX.D-CLIP

Optional DIN Rail Mounting Clip suitable for 30VA, 50VA, 100VA & 160VA secondary transformers.



DIMENSIONS



FOXTAM CONTROL PANEL TRANSFORMERS

PRODUCT
GROUP

T

137

Dimensions

Type-1 (0-12-24V)

	A	B	C	D	E	F	G
FOX.TX 0030	77	77	75	37	53	4	6
FOX.TX 0050	77	76	80	42	53	4	6
FOX.TX 0100	86	84	80	37	70	4	10
FOX.TX 0160	86	84	89	47	70	4	10
FOX.TX 0200	97	92	98	48	80	4	12
FOX.TX 0320	123	110	95	59	99	12	14
FOX.TX 0400	122	113	98	64	99	12	14
FOX.TX 0500	122	111	108	74	100	12	14
FOX.TX 0630	154	149	120	77	125	8	17
FOX.TX 0800	150	154	158	116	125	8	18
FOX.TX 1000	150	149	138	113	124	8	24
FOX.TX 1600	198	224	180	108	169	13	12
FOX.TX 2000	198	258	211	127	169	19	12
FOX.TX 2500	198	260	245	145	169	19	12
FOX.TX 3200	242	278	240	112	210	16	22

Type-2 (0-115-230V)

	A	B	C	D	E	F	G
FOX.TX 0030	77	77	75	37	53	4	6
FOX.TX 0050	77	76	80	42	53	4	6
FOX.TX 0100	86	84	80	37	70	4	10
FOX.TX 0160	86	84	89	47	70	4	10
FOX.TX 0200	97	92	91	51	80	4	12
FOX.TX 0320	121	110	88	60	110	6	14
FOX.TX 0400	121	110	95	64	100	7	14
FOX.TX 0500	120	118	114	75	100	6	14
FOX.TX 0630	150	133	112	75	126	8	19
FOX.TX 0800	150	135	128	85	125	8	18
FOX.TX 1000	150	139	168	113	124	8	24
FOX.TX 1600	198	198	150	112	169	16	13
FOX.TX 2000	198	198	180	130	168	14	12
FOX.TX 2500	198	198	199	146	168	14	12
FOX.TX 3200	241	240	200	116	200	20	33

Type-3 (0-55-110V)

	A	B	C	D	E	F	G
FOX.TX 0030	77	77	75	37	53	4	6
FOX.TX 0050	77	76	80	42	53	4	6
FOX.TX 0100	86	84	80	37	70	4	10
FOX.TX 0160	86	84	89	47	70	4	10
FOX.TX 0200	97	92	91	51	80	4	12
FOX.TX 0320	120	111	94	58	100	7	14
FOX.TX 0400	120	118	108	64	100	6	14
FOX.TX 0500	120	130	118	74	100	7	14
FOX.TX 0630	150	138	128	74	125	8	24
FOX.TX 0800	150	154	158	116	135	8	19
FOX.TX 1000	150	139	168	113	124	8	24
FOX.TX 1600	198	198	155	112	169	14	12
FOX.TX 2000	198	198	180	130	168	14	12
FOX.TX 2500	198	200	197	145	169	19	22
FOX.TX 3200	240	240	200	112	200	20	33

