

# MOULDED CASE CT - WITH UNIQUE TRANSUDCER OPTION

## TYPE: ASK41.3

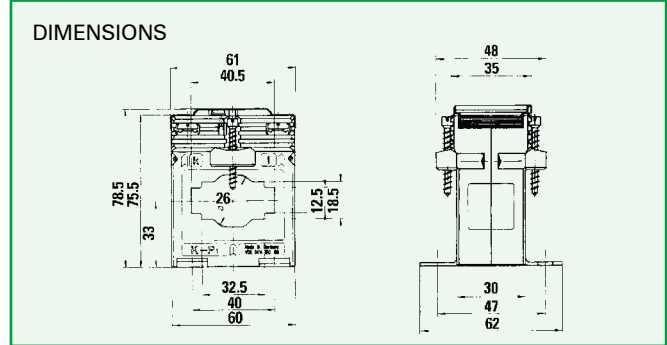
### FEATURES

- Din rail, bus-bar or foot mounted
- Snap fit secondary terminal covers
- Insulated ends to bus-bar pinch screws
- Transformer width 60mm
- Max conductor size 26mm dia.
- Max bus-bar size 40x12mm or 32x18mm
- Primary ranges from 100 Amps to 750 Amps
- 1 Amp or 5 Amp secondaries



### NMC PLUG IN TRANSUDCERS

P/No	CT SECONDARY	AUX SUPPLY	OUTPUT
NMC011-37212	1A	Self powered	0-20mA & 0-10VDC & 1A
NMC021-37012	5A	Self powered	0-20mA & 0-10VDC & 5A
NMC211-39232	1A	24VDC	4-20mA & 0-10VDC & 1A
NMC221-39032	5A	24VDC	4-20mA & 0-10VDC & 5A
NMC311-36232	1A	230VAC	4-20mA & 0-10VDC & 1A
NMC321-36032	5A	230VAC	4-20mA & 0-10VDC & 5A
NMC411-76232	1A	110VAC	4-20mA & 0-10VDC & 1A
NMC421-76032	5A	110VAC	4-20mA & 0-10VDC & 5A



PRIMARY CURRENT	100	150	200	250	300	400	500	600	750
VA	1.5	2.5	2.5	2.5	5	5	5	5	10
CLASS	1	1	1	1	1	1	1	1	1

■ All ASK41.3 models available up to 300 Amps with 1 Amp or 5 Amp secondaries, above 300 Amps 5 Amp secondary only.

Spare Din rail mounting clips available P/No. 53011

# MOULDED CASE CT - WITH UNIQUE TRANSUDCER OPTION

## TYPE: ASK412.4

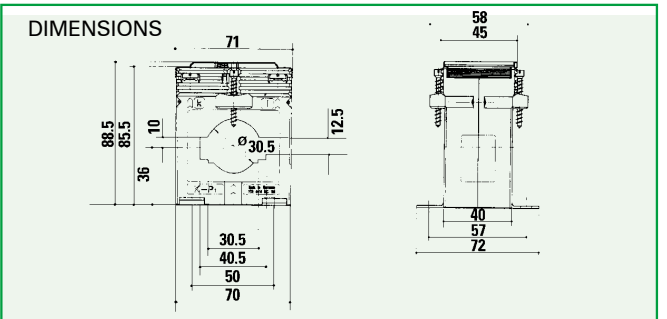
### FEATURES

- Din rail, bus-bar or foot mounted
- Snap fit secondary terminal covers
- Insulated ends to bus-bar pinch screws
- Transformer width 70mm
- Max conductor size 30.5mm dia.
- Max bus-bar size 40x12mm or 30x15mm
- Primary ranges from 50 Amps to 800 Amps
- 1 Amp or 5 Amp secondaries



### NMC PLUG IN TRANSUDCERS

P/No	CT SECONDARY	AUX SUPPLY	OUTPUT
NMC013-37214	1A	Self powered	0-20mA & 0-10VDC & 1A
NMC023-37014	5A	Self powered	0-20mA & 0-10VDC & 5A
NMC213-39234	1A	24VDC	4-20mA & 0-10VDC & 1A
NMC223-39034	5A	24VDC	4-20mA & 0-10VDC & 5A
NMC313-36234	1A	230VAC	4-20mA & 0-10VDC & 1A
NMC323-36034	5A	230VAC	4-20mA & 0-10VDC & 5A
NMC413-76234	1A	110VAC	4-20mA & 0-10VDC & 1A
NMC423-76034	5A	110VAC	4-20mA & 0-10VDC & 5A



PRIMARY CURRENT	50	60	80	100	150	200	250	300	400	500	600	800
VA	1.5	1.5	2.5	3.75	5	10	10	15	15	15	15	15
CLASS	1	1	1	1	1	1	1	1	1	1	1	1

■ All ASK412.4 models available with 1 Amp or 5 Amp secondaries. Some of the above ratios available as Class 0.5 to special order, please consult sales office for information.

Spare Din rail mounting clips available P/No. 55012