

MOULDED CASE CT - WITH UNIQUE TRANSDUCER OPTION

TYPE: ASK63.4

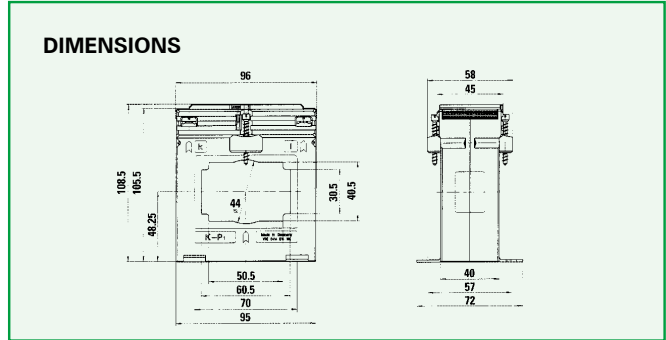
FEATURES

- Foot or bus-bar mounted
- Snap fit secondary terminal covers
- Insulated ends to bus-bar pinch screws
- Transformer width 95mm
- Max conductor size 44mm dia.
- Max bus-bar size 60x30mm or 50x40mm
- Primary ranges from 300 Amps to 1600 Amps
- 1 Amp or 5 Amp secondaries



NMC PLUG IN TRANSUDCERS

P/No	CT SECONDARY	AUX SUPPLY	OUTPUT
NMC014-37215	1A	Self powered	0-20mA & 0-10VDC & 1A
NMC024-37015	5A	Self powered	0-20mA & 0-10VDC & 5A
NMC214-39235	1A	24VDC	4-20mA & 0-10VDC & 1A
NMC224-39035	5A	24VDC	4-20mA & 0-10VDC & 5A
NMC314-36235	1A	230VAC	4-20mA & 0-10VDC & 1A
NMC324-36035	5A	230VAC	4-20mA & 0-10VDC & 5A
NMC414-76235	1A	110VAC	4-20mA & 0-10VDC & 1A
NMC424-76035	5A	110VAC	4-20mA & 0-10VDC & 5A



PRIMARY CURRENT	300	400	500	600	800	1000	1200	1500
VA	2.5	5	10	15	15	15	15	15
CLASS	1	1	1	1	1	1	1	1

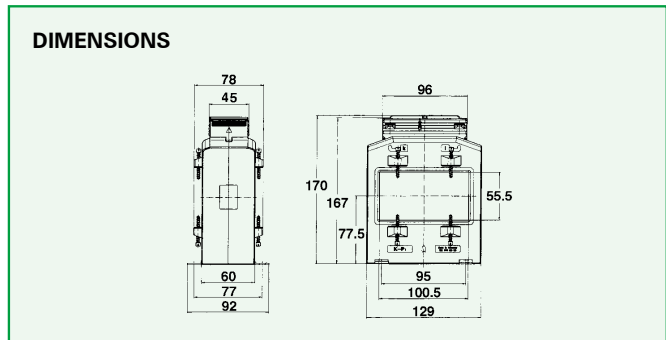
■ All ASK63.4 models available with 1 Amp or 5 Amp secondaries. Above ratios available as Class 0.5 & Class 0.2 to special order, please consult sales office for information.

MOULDED CASE CT - WITH UNIQUE TRANSDUCER OPTION

TYPE: ASK105.6

FEATURES

- Foot or bus-bar mounted
- Snap fit secondary terminal covers
- Insulated ends to bus-bar pinch screws
- Transformer width 129mm
- Max bus-bar size 100x55mm
- Primary ranges from 600 Amps to 3000 Amps
- 1 Amp or 5 Amp secondaries



PRIMARY CURRENT	600	800	1000	1200	1250	1500	1600	2000	2500	3000
VA	10	10	10	15	15	15	15	30	30	30
CLASS	1	1	1	1	1	1	1	1	1	1

■ All ASK105.6 models available with 1 Amp or 5 Amp secondaries. Above ratios available as Class 0.5 & Class 0.2 to special order, please consult sales office for information.